



The C700 Series Detector Range

The Heat and Smoke Detectors are designed to provide open area protection and to be used with compatible Fire Alarm Control Panels. Two LEDs on each detector offers local 360° visible alarm indication, which will flash every 3 seconds indicating that power is applied and the device is working properly.

The LEDs will latch on during alarm, and can only be reset by a momentary power interruption.

Features :-

- Wide operating voltage for both Fire & Security Systems
- Dual LEDs for wide visibility
- Sleek low-profile design
- UL Listed



Model	Voltage (DC)	Standby Current	Alarm Current	Cycle Time	Remote LED	Base Model
DET-C731	10.8 ~33V	75uA	50mA	3 ~ 5 s	Nil	DB-7
DET-C731L	10.8 ~33V	75uA	50mA	3 ~ 5 s	✓	DB-7L
<i>Remark : L – Remote Indicator Output Current 15mA (max.)</i>						
Alarm Response Threshold			0.08 ~0.15 db/m			
Operating Temperature			-10 to 55°C			
Operating Humidity			0 ~95% RH, Non-condensing			
Dimension			Ø102mm x 45mm			



[Smoke Detector](#)

Model	Voltage (DC)	Standby Current	Alarm Current	Cycle Time	Remote LED	Base Model
DET-C732	10.8 ~33V	40uA	50mA	3 s	Nil	DB-7
DET-C732L	10.8 ~33V	40uA	50mA	3 s	✓	DB-7L
<i>Remark : L – Remote Indicator Output Current 15mA (max.)</i>						
Alarm Response Threshold			59°C Static, and Rate-of-Rise			
Operating Temperature			-10 to 55°C			
Operating Humidity			0 ~95% RH, Non-condensing			
Dimension			Ø102mm x 45mm			



[Heat Detector](#)



[Detector Base](#)

Model	Remote LED Terminal
DB-7	Nil
DB-7L	✓

TYPICAL WIRING DIAGRAM

Figure 1. shows the typical wiring diagram of 2-wire multiple-station smoke detector system.

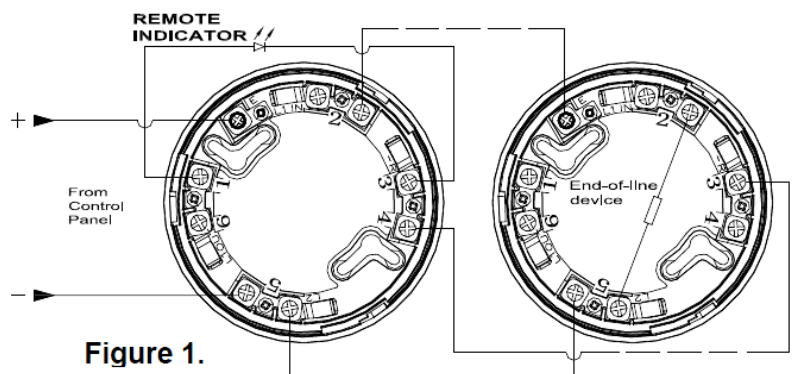


Figure 1.

Due to constant improvement in our products, we reserved the right to modify or withdraw any product or service without prior notice.