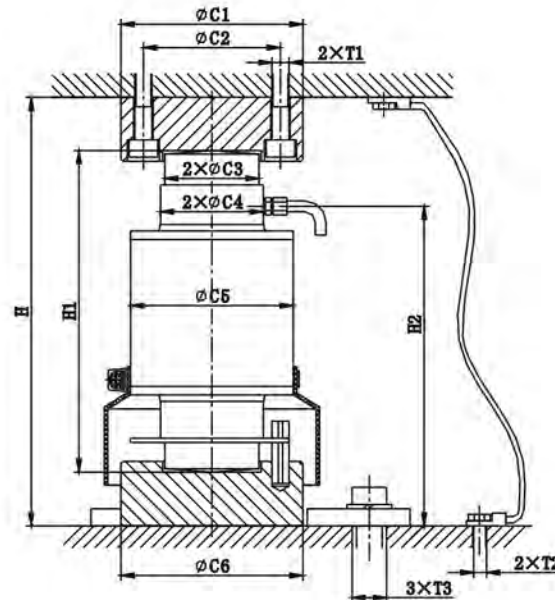


Compression type OIML:C3



Rated

load (t)	C1	C2	C3	C4	C5	C6	H	H1	H2	T1	T2	T3
10、15、20、25、 30、40、50、60	85	64	44	48	76	85	200	150	149	M8	M8	M16

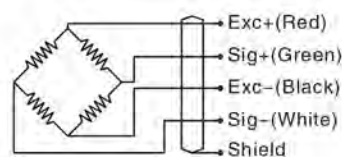
SPECLFLCATIONS

Rated capacities(E_{max})

Sensitivity:	2.0 ± 0.002mV/V
Input Resistance:	400 ± 20Ω (ZSF) 700 ± 20Ω (ZSFY)
Output Resistance:	352 ± 3Ω (ZSF) 706 ± 7Ω (ZSFY)
Operating Temp Range:	-30℃~+70℃
Safe Load Limit:	150% F.S.
Recommend Excitation:	10V DC (15V Max.)
Insulation Resistance:	5000MΩ
Material:	Alloy Steel / Stainless steel

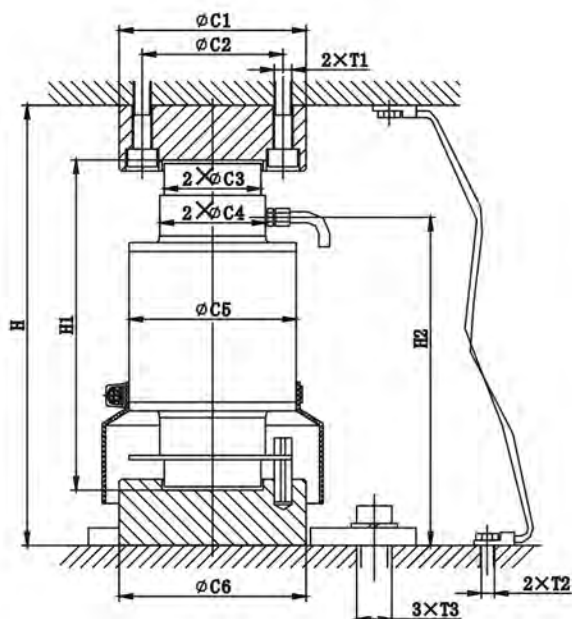
Total Error: C3
Seal Type: IP68

Wiring Schematic Diagram



* C3, is Available 10 to 50t, other capacity's accuracy is 0.03% F.S.

Digital Compression Type



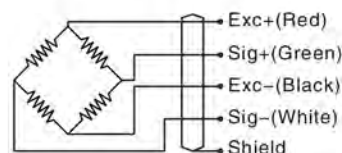
Rated load (t)	C1	C2	C3	C4	C5	C6	H	H1	H2	T1	T2	T3
10、15、20、25、30、40、50、60	85	64	44	48	76	85	200	150	149	M8	M8	M16

SPECIFICATIONS

Rated Capacities(Emax)	
Digital module resolution:	60000码
Rated Load:	20、25、30、40、50t
Rated Output:	20000、25000、30000、40000、50000ISN
Digital Refresh Rate:	50Hz
Communication Baud Rate:	9600BPS
Operating Temp Range:	-30℃~+70℃
Safe Load Limit:	150% F.S.
Recommend Excitation:	10V DC (15V Max.)
Insulation Resistance:	Alloy Steel / Stainless steel

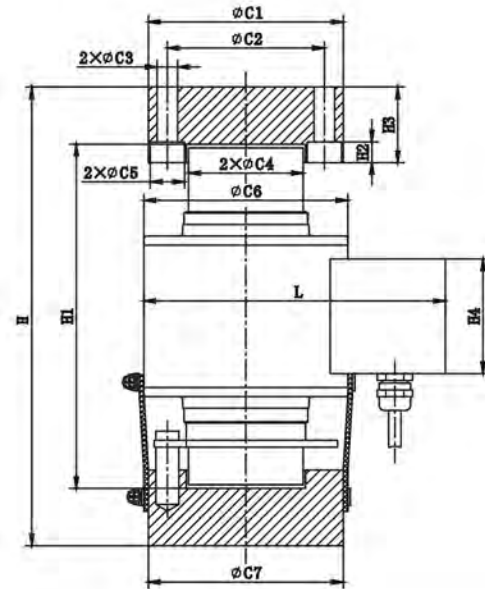
Total Error: C3
Seal Type: IP68

Wiring Schematic Diagram



* OMIL C3 is Available 1t to 5t, other capacity's accuracy is 0.03% F.S

Compression Type



Rated load (t)	C1	C2	C3	C4	C5	C6	C7	H	H1	H2	H3
10、15、20、25、30、40、50、60	85	68.5	9	50	15	89	85	200	150	9	33

SPECIFICATIONS

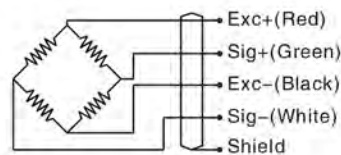
Rated Capacities(Emax)

- Sensitivity: 2.0 ± 0.002mV/V
- Input Resistance: 700 ± 35Ω
- Output Resistance: 702 ± 3Ω
- Operating Temp Range: -30°C~+200°C
- Safe Load Limit: 150% F.S.
- Recommend Excitation: 10V DC (15V Max.)
- Insulation Resistance: 5000MΩ
- Material: Alloy Steel / Stainless steel

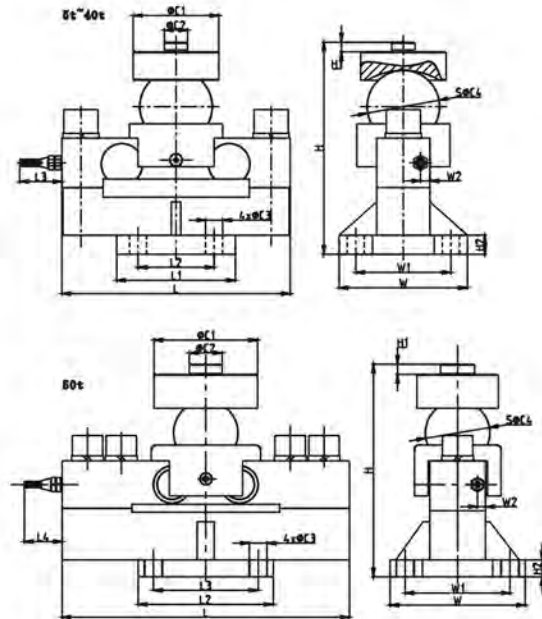
Total Error: ≤0.2%

Seal Type: IP68

Wiring Schematic Diagram



Double-End Shear Beam



Rated

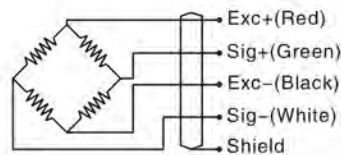
load (t)	L	L1	L2	L3	W	W1	W2	H	H1	H2	C1	C2	C3	C4
5	224	125	80	45	135	100	10	168.8	11	20	68	30	18	50.8
10,15,20, 25,30	240	125	80	45	135	100	10	224.7	11	20	85-88	30	18	76.2
40	240	125	80	45	135	100	10	230.7	11	20	88	30	18	76.2
50	340	160	124	45	160	124	10	261.2	11	20	98	40	22	76.2

SPECIFICATIONS

Rated capacities(Emax)

Sensitivity: 2.0mV/V
 Input Resistance: 750 ± 10 Ω
 Output Resistance: 702 ± Ω, 702 ± 3 Ω (L ≥ 15m)
 Operating Temp Range: -30°C~+200°C
 Safe Load Limit: 150% F.S.
 Recommend Excitation: 10V DC (15V Max.)
 Insulation Resistance 5000MΩ
 Material: Alloy Steel / Stainless steel

Total Error: C3
 Seal Type: IP68
 Wiring Schematic Diagram



* OIML C3 is Available 10t to 50t, other capacity's accuracy is 0.03% F.S